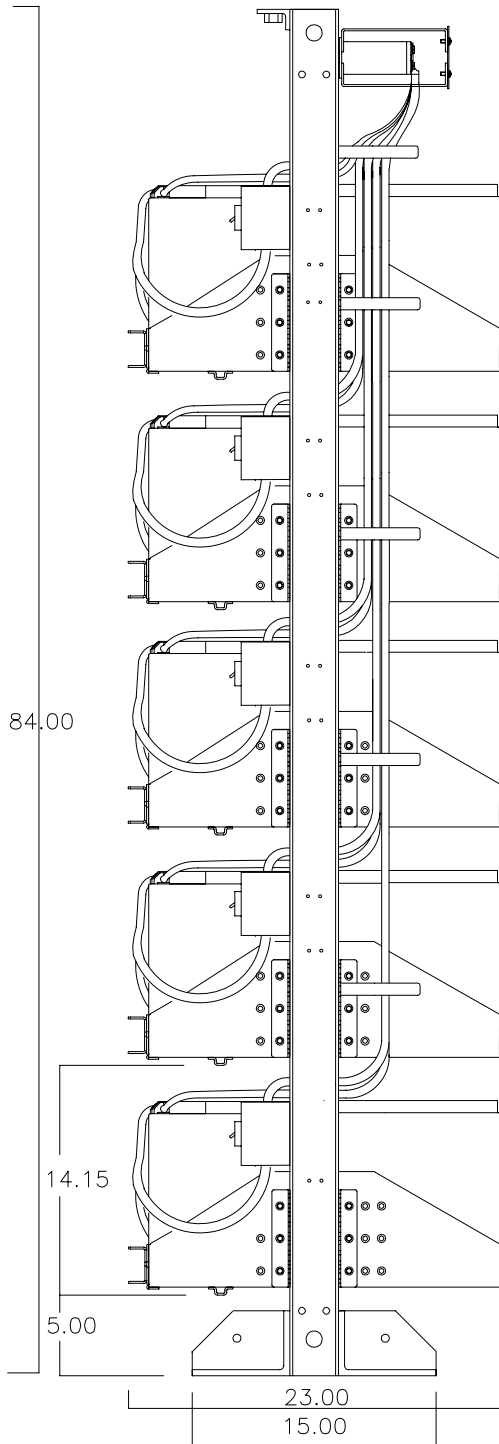
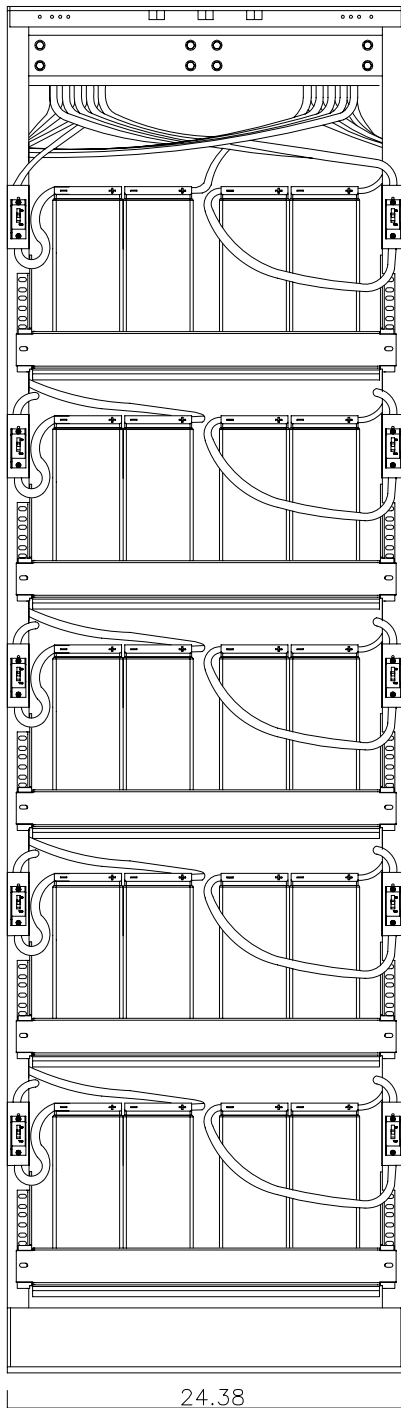


24VDC BATTERY RACK SYSTEM HOLDS UP TO 10X 150Ahr STRINGS



TRAYS / Ah	PART NO.
5 / 1500Ah	HZ723RR1500-24V
4 / 1200Ah	HZ723RR1200-24V
3 / 900Ah	HZ723RR900-24V
2 / 600Ah	HZ723RR600-24V
1 / 300Ah	HZ723RR300-24V

EACH SHELF EQUIPPED WITH:
 4 X 150Ah (TWO STRINGS)
 100A BREAKER (125 Trip Amps)
 2 AWG cable to the Terminal bar.

U:\Battery-dwg\haze\HZ723RRXXX-24V.dwg



DRAWN BY: THOMAS MEINERS
 DATE: 11/22/04
 CHECKED: NICK DISPALATRO

TITLE: 24VDC BATTERY RACK SYSTEM

DATE 04/08/2007 SHEET 1 OF 1 SCALE - DWG NO: HZ723RRXXX-24V REV. A