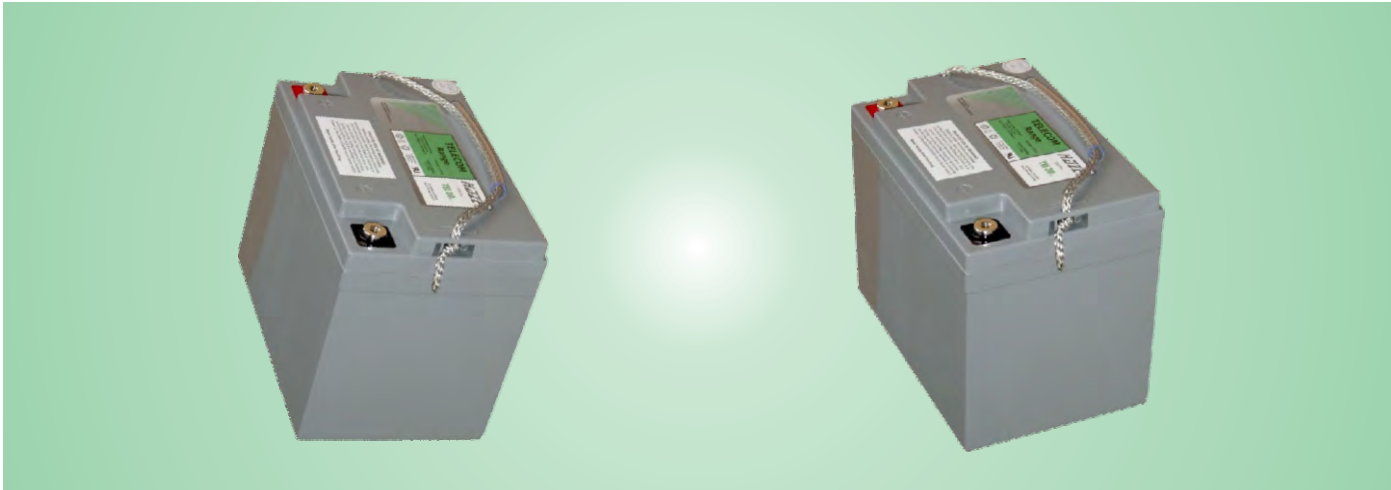


TELECOM RANGE



Model No. TEL 30 (12 Volts, 33.9 Ah at 8 hour Rate to 1.75 vpc)
Valve Regulated Lead Acid Battery for communications
standby power & UPS applications

Innovative Features

- ◆ Completely maintenance free, sealed construction eliminates the need for watering
- ◆ Fully tank formed plates
- ◆ Analytical Grade electrolyte
- ◆ Spill proof / leak proof
- ◆ Valve regulated Max internal pressure 2.5 psi
- ◆ Multi-position usage
- ◆ ABS Case & Cover Flame Retardant meets UL 94 VO requirements
- ◆ Low self discharge
- ◆ FAA and IATA approved as non-hazardous
- ◆ Designed to comply with Bellcore TR-NWT-000766, Bellcore TR-NWT-000909, ANSI T1.330-1997, Telcordia SR 4228, British Standard BS 6290 Part 4, IEC 896 Part 2, Eurobat, DIN 43534
- ◆ UL Recognized, ISO 9001

Ampere Hour Capacity at 77°F (25°C) to 1.75 vpc

Discharge Time in Hrs	1	2	3	4	5	6	7	8	10
Ampere Hour Capacity	24.5	27.4	29.4	31.1	32.1	32.8	33.4	33.9	34.8

Website: www.hazebattery.com/usa
E mail : customerservice@hazebattery.com
Ph: 952-746-7528 Fax: 952-746-7527



AGM Range
Sealed Lead Acid 12 Volt Bloc

Specifications

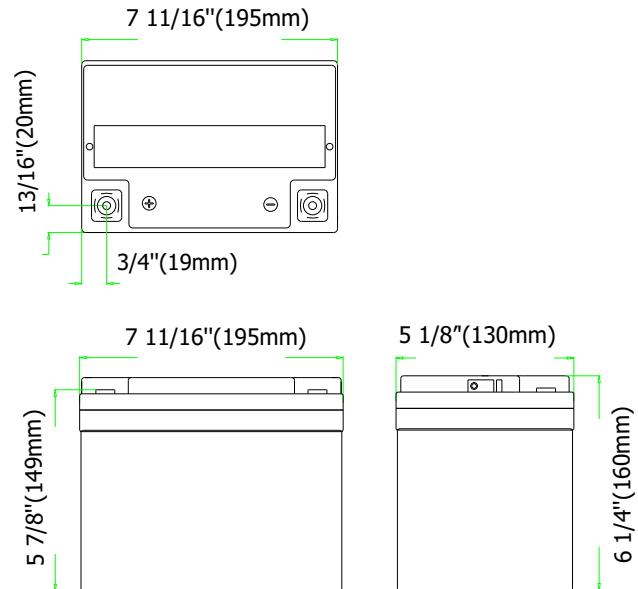
Nominal Voltage		12V	
Nominal Capacity		37.9 Ah	C20
Dimensions	Total Height (Inc terminals)	6.30 inches n/a	160 mm n/a
	Length	7.68 inches	195 mm
	Width	5.12 inches	130 mm
	Weight	23.65 lbs	10.7 Kg



Haze Battery Company Ltd

Characteristics

Capacity 77°F (25°C) to 1.75 vpc	20 hour rate	37.9Ah
	10 hour rate	34.8 Ah
	5 hour rate	32.1 Ah
	2 hour rate	27.4 Ah
	1 hour rate	24.5 Ah
Internal Resistance		5.75 mOhms
Capacity correction for temperature Variations (C20)	104°F (40°C)	102%
	68°F (20°C)	100%
	32°F (0°C)	85%
	5°F (-15°C)	65%
Self Discharge 77°F (25°C)	Capacity after 1 month storage	98%
	Capacity after 3 months storage	94%
	Capacity after 6 months storage	86%
Short Circuit Current 77°F (25°C)	1100	
Terminal	Standard	14mm Insert M6 thread
Charging (Constant Voltage)	Cyclic	2.35 - 2.40 vpc (59 -77°F)
	Float	2.27 - 2.30 vpc (59 -77°F)



End V per Cell	Ampere Hour at 77°F (25°C)											
	1 hr	2 hr	3 hr	4 hr	5 hr	6 hr	7 hr	8 hr	10 hr	12 hr	20 hr	
1.85	21.5	24.1	25.9	27.4	28.2	28.9	29.4	29.9	30.6	31.3	33.4	
1.80	23.0	25.7	27.6	29.2	30.1	30.9	31.4	31.9	32.7	33.4	35.6	
1.75	24.5	27.4	29.4	31.1	32.1	32.8	33.4	33.9	34.8	35.5	37.9	
1.70	25.0	28.0	30.0	31.8	32.8	33.6	34.1	34.7	35.5	36.3	38.8	

End V per Cell	Constant Amps Discharge - Amps at 77°F (25°C)											
	1 hr	2 hr	3 hr	4 hr	5 hr	6 hr	7 hr	8 hr	10 hr	12 hr	20 hr	
1.85	21.50	12.00	8.62	6.84	5.64	4.82	4.20	3.73	3.06	2.60	1.67	
1.80	23.00	12.90	9.20	7.31	6.03	5.14	4.49	3.99	3.27	2.78	1.78	
1.75	24.50	13.70	9.79	7.78	6.41	5.47	4.77	4.24	3.48	2.96	1.90	
1.70	25.00	14.00	10.00	7.95	6.55	5.59	4.88	4.33	3.55	3.03	1.94	

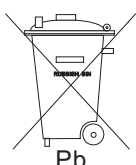
End V per Cell	Constant Power Discharge - Watts/Cell at 77°F (25°C) in Minutes											
	5	10	15	20	25	30	35	40	45	60	90	
1.67	356.0	198.0	141.0	114.0	96.8	83.8	74.7	66.4	60.7	48.6	34.9	

Specifications

Design Life	12 Years
Operating Temperature	-4 °F to 122 °F
Grid alloy	Calcium / Tin lead alloy
Plates	Flat Pasted
Separator	Absorbant Glass Mat
Active material	Very high purity lead
Charge Voltage	Float 2.27 - 2.30 VPC @77 °F Cycling 2.35 @77 °F Max. 2.4 VPC Max ripple 0.05C (A)
Electrolyte	Sulphuric acid Analytical grade purity
Venting Valve	EPDM Rubber 1.5 to 2 psi (10.5 - 14 KPa) release pressure. Resealing at 1 psi (7 KPa)
Torque setting	The recommended torque value for all types is 44-62 inch-pounds

Terminal Details

Insert are made from brass with copper, nickel and silver plating giving excellent mechanical, electrical and corrosion resistant properties.



Haze Battery Company keenly encourages environmental awareness; PLEASE follow guidelines for the recycling /disposal of lead.



UL Recognised
Component
MH 20947



Ver. 11/6/12