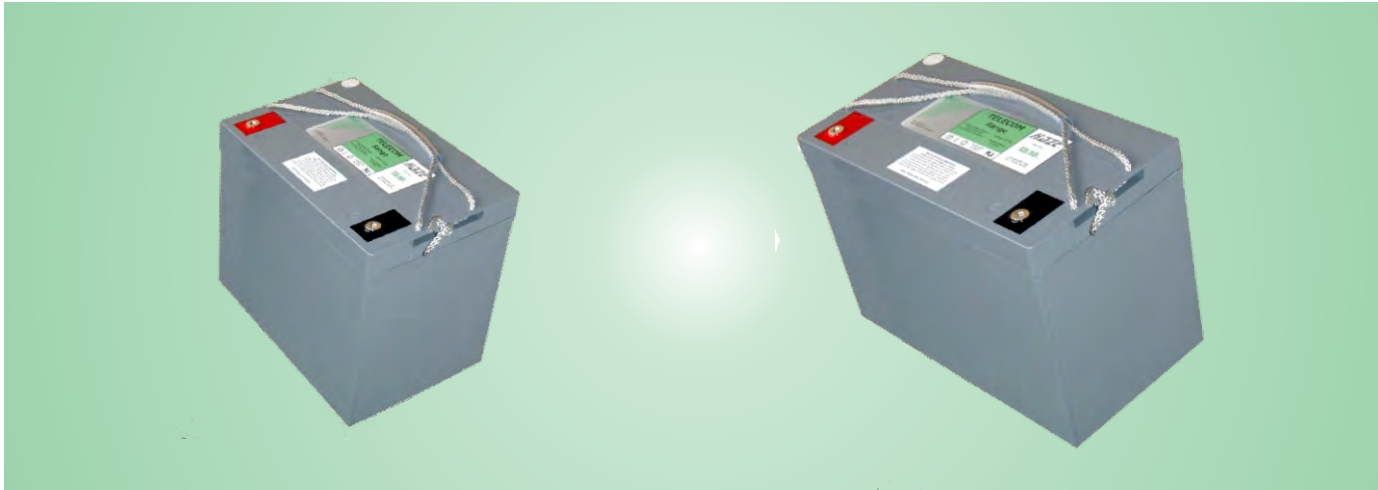


# TELECOM RANGE



**Model No. TEL 80X** (12 Volts, 105 Ah at 8 hour Rate to 1.75 vpc)  
Valve Regulated Lead Acid Battery for communications  
standby power & UPS applications

**Innovative Features**

- ◆ Completely maintenance free, sealed construction eliminates the need for watering
- ◆ Fully tank formed plates
- ◆ Analytical Grade electrolyte
- ◆ Spill proof / leak proof
- ◆ Valve regulated Max internal pressure 2.5 psi
- ◆ Multi-position usage
- ◆ ABS Case & Cover Flame Retardant meets UL 94 VO requirements
- ◆ Low self discharge
- ◆ FAA and IATA approved as non-hazardous
- ◆ Designed to comply with Bellcore TR-NWT-000766, Bellcore TR-NWT-000909, ANSI T1.330-1997, Telcordia SR 4228, British Standard BS 6290 Part 4, IEC 896 Part 2, Eurobat, DIN 43534
- ◆ UL Recognized, ISO 9001

**Ampere Hour Capacity at 77°F (25°C) to 1.75 vpc**

Discharge Time in Hrs	1	2	3	4	5	6	7	8	10
Ampere Hour Capacity	71.0	81.6	89.0	94.1	98.3	101.0	104.0	105.0	107.0

Website: [www.hazebattery.com/usa](http://www.hazebattery.com/usa)  
E mail : [customerservice@hazebattery.com](mailto:customerservice@hazebattery.com)  
Ph: 952-746-7528 Fax: 952-746-7527



Sealed Lead Acid 12 Volt Bloc AGM Range

## Specifications

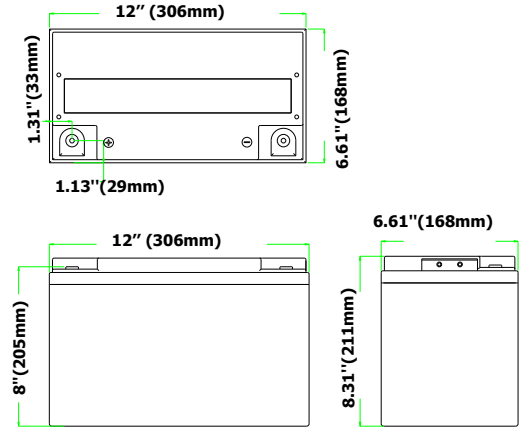
Nominal Voltage		12V	
Nominal Capacity		113.4 Ah	C20
Dimensions	Total Height (Inc terminals)	8.31 inches n/a	211 mm n/a
	Length	12.05 inches	306 mm
	Width	6.61 inches	168 mm
	Weight	65.64 lbs	29.7 Kg



Haze Battery Company Ltd

## Characteristics

Capacity 77°F (25°C) to 1.75 vpc	20 hour rate	113 Ah
	10 hour rate	107 Ah
	5 hour rate	98.3 Ah
	2 hour rate	81.6 Ah
	1 hour rate	71 Ah
	Internal Resistance	3.4 mOhms
Capacity correction for temperature Variations (C20)	104°F (40°C)	102%
	68°F (20°C)	100%
	32°F (0°C)	85%
	5°F (-15°C)	65%
Self Discharge 77°F (25°C)	Capacity after 1 month storage	98%
	Capacity after 3 months storage	94%
	Capacity after 6 months storage	86%
Short Circuit Current 77°F (25°C)	2900	
Terminal	Standard	16mm Insert M6 thread
Charging (Constant Voltage)	Cyclic	2.35 - 2.40 vpc (59 - 77°F)
	Float	2.27 - 2.30 vpc (59 - 77°F)



End V per Cell	Ampere Hour at 77°F (25°C)										
	1 hr	2 hr	3 hr	4 hr	5 hr	6 hr	7 hr	8 hr	10 hr	12 hr	20 hr
1.85	62.5	71.8	78.3	82.8	86.5	89.1	91.2	92.6	94.5	96.1	100.0
1.80	66.7	76.7	83.7	88.5	92.4	95.2	97.4	98.9	101.0	103.0	107.0
1.75	71.0	81.6	89.0	94.1	98.3	101.0	104.0	105.0	107.0	109.0	113.0
1.70	72.6	83.4	91.0	96.2	100.0	104.0	106.0	108.0	110.0	112.0	116.0

End V per Cell	Constant Amps Discharge - Amps at 77°F (25°C)										
	1 hr	2 hr	3 hr	4 hr	5 hr	6 hr	7 hr	8 hr	10 hr	12 hr	20 hr
1.85	62.5	35.90	26.10	20.70	17.30	14.90	13.00	11.60	9.45	8.01	4.99
1.80	66.7	38.40	27.90	22.10	18.50	15.90	13.90	12.40	10.10	8.56	5.33
1.75	71.0	40.80	29.70	23.50	19.70	16.90	14.80	13.20	10.70	9.10	5.67
1.70	72.6	41.70	30.30	24.00	20.10	17.30	15.10	13.40	11.00	9.30	5.79

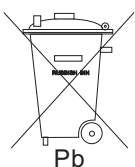
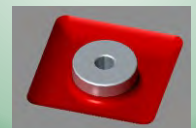
End V per Cell	Constant Power Discharge - Watts/Cell at 77°F (25°C) in Minutes										
	5	10	15	20	25	30	35	40	45	60	90
1.67	632.0	455.0	369.0	307.0	266.0	235.0	214.0	194.0	179.0	144.0	105.0

## Specifications

Design Life	12 Years
Operating Temperature	-4 °F to 122 °F
Grid alloy	Calcium / Tin lead alloy
Plates	Flat Pasted
Separator	Absorbant Glass Mat
Active material	Very high purity lead
Charge Voltage	Float 2.27 - 2.30 VPC @77 °F Cycling 2.35 @77 °F Max. 2.4 VPC Max ripple 0.05C (A)
Electrolyte	Sulphuric acid Analytical grade purity
Venting Valve	EPDM Rubber 1.5 to 2 psi (10.5 - 14 KPa) release pressure. Resealing at 1 psi (7 KPa)
Torque setting	The recommended torque value for all types is 44-62 inch-pounds

## Terminal Details

Insert are made from brass with copper, nickel and silver plating giving excellent mechanical, electrical and corrosion resistant properties.



Haze Battery Company keenly encourages environmental awareness; PLEASE follow guidelines for the recycling /disposal of lead.



UL Recognised  
Component  
MH 20947

