

UPS RANGE



Haze Battery Company



Model No. UPS 370 (12 Volts, 379 Watts Per Cell for 15 minutes to 1.67 vpc)
Valve Regulated Lead Acid Battery for UPS applications

Innovative Features

- ◆ Completely maintenance free, sealed construction eliminates the need for watering
- ◆ Fully tank formed plates
- ◆ Analytical Grade electrolyte
- ◆ Spill proof / leak proof
- ◆ Valve regulated Max internal pressure 2.5 psi
- ◆ Multi-position usage
- ◆ ABS Case & Cover Flame Retardant meets UL 94 VO requirements
- ◆ Low self discharge
- ◆ FAA and IATA approved as non-hazardous
- ◆ Designed to comply with IEC 896 Part 2, British Standard BS 6290 Part 4, Eurobat, DIN 43534
- ◆ UL Recognized, ISO 9001

12 Volts - 379 Watts Per Cell for 15 minutes to 1.67 vpc

Constant Power Discharge Ratings - Watts per cell @ 77°F (25°C)

Operating Time (minutes)	5	10	15	20	30	40	45	50	60	90
1.67 vpc	632	481	379	315	234	187	170	156	133	96

Website: www.hazebattery.com/usa
E mail : info@hazebattery.com
Ph: 952-746-7528 Fax: 952-746-7527

AGM Range
Sealed Lead Acid 12 Volt Bloc

Specifications

Nominal Voltage	12 Volts
Nominal Capacity at 77°F (25°C)	384 watts per cell at 15 minute rate to 1.67 vpc 110 Ah @ 20 hr rate to 1.75vpc

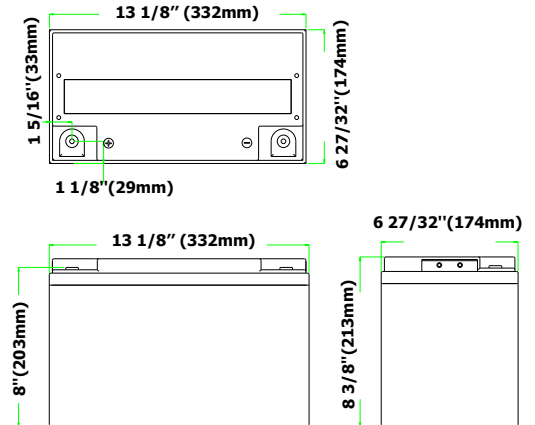
Dimensions	Total Height (Inc terminals)	8.39 inches	213 mm
		n/a	n/a
	Length	13.07 inches	332 mm
	Width	6.85 inches	174 mm
	Weight	71.16 lbs	32.2 Kg

Characteristics

Internal Resistance	4 mOhms	
Capacity correction for temperature Variations 77°F (25°C)	104°F (40°C)	102%
	68°F (20°C)	100%
	32°F (0°C)	85%
	5°F (-15°C)	65%
Self Discharge 77°F (25 Deg C)	Capacity after 1 month storage	98%
	Capacity after 3 months storage	94%
	Capacity after 6 months storage	86%
Short Circuit Current 77°F (25 Deg C)	3000	
Terminal Charging (Float Voltage)	Standard	14mm Insert M6 thread
	Float	2.27 - 2.30 vpc (59-77°F)



Haze Battery Company Ltd



Constant Current Discharge Ratings - Amperes @ 77°F (25°C)

Operating Time to End Voltage

End V per Cell	Minutes				Hours								
	5	15	30	45	1	2	3	4	5	8	10	12	20
1.85	257.2	174.2	115.1	85.3	67.3	37.7	26.3	20.4	16.7	11.2	9.3	7.9	5.2
1.80	300.7	188.7	120.3	88.8	69.8	39.0	26.9	20.9	17.2	11.5	9.5	8.1	5.4
1.75	332.9	199.1	124.4	90.8	70.9	39.5	27.4	21.3	17.5	11.7	9.7	8.3	5.5

Constant Power Discharge Ratings - Watts Per Cell @ 77°F (25°C)

Operating Time to End Voltage (In minutes)

End V per Cell	Operating Time to End Voltage (In minutes)								
	5	10	15	20	30	40	45	60	90
1.75	603.5	452.1	369.2	309.0	233.3	186.7	170.1	133.6	95.7
1.70	625.3	468.7	377.5	313.2	236.4	188.7	172.1	134.7	97.4
1.65	657.5	483.2	383.7	319.4	239.5	191.8	175.3	136.7	98.3
1.60	685.5	494.6	390.9	322.5	241.6	193.9	176.3	137.8	98.9

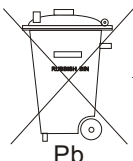
Specifications

Design Life	12 Years
Operating Temperature	-4 °F to 122 °F
Grid alloy	Calcium / Tin lead alloy
Plates	Flat Pasted
Separator	Absorbant Glass Mat
Active material	Very high purity lead
Charge Voltage	Float 2.25 - 2.30 VPC @77 °F Cycling 2.35 @77 °F Max. 2.4 VPC Max ripple 0.05C (A)
Electrolyte	Sulphuric acid Analytical grade purity
Venting Valve	EPDM Rubber 1.5 to 2 psi (10.5 - 14 KPa) release pressure. Resealing at 1 psi (7 KPa)
Torque setting	The recommended torque value for all types is 44-62 inch-pounds

Terminal Details

Insert are made from brass with copper, nickel and silver plating giving excellent mechanical, electrical and corrosion resistant properties.

Insert 14mm Dia M6 thread, epoxy sealed.



Haze Battery Company keenly encourages environmental awareness; PLEASE follow guidelines for the recycling /disposal of lead.



Ver. 03/01/08