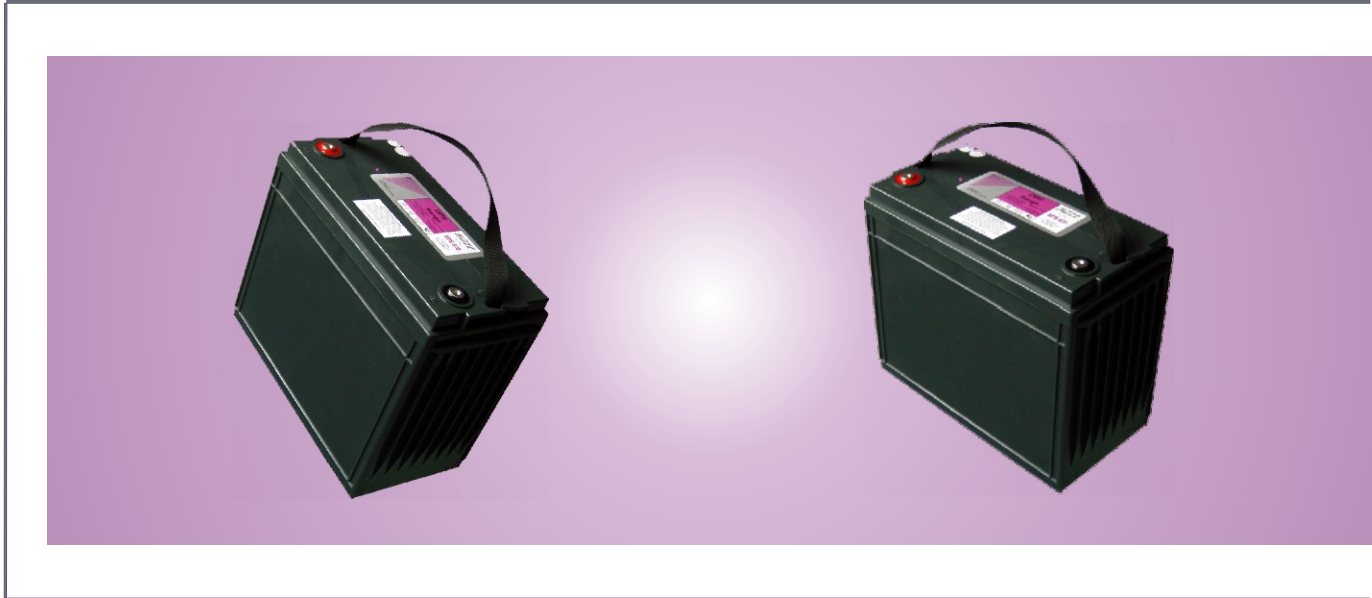


UPS RANGE



Haze Battery Company



Model No. UPS 475 (12 Volts, 525 Watts Per Cell for 15 minutes to 1.67 vpc)

Valve Regulated Lead Acid Battery for UPS applications

Innovative Features

- ◆ Completely maintenance free, sealed construction eliminates the need for watering
- ◆ Fully tank formed plates
- ◆ Analytical Grade electrolyte
- ◆ Spill proof / leak proof
- ◆ Valve regulated Max internal pressure 2.5 psi
- ◆ Multi-position usage
- ◆ ABS Case & Cover Flame Retardant meets UL 94 VO requirements
- ◆ Low self discharge
- ◆ FAA and IATA approved as non-hazardous
- ◆ Designed to comply with IEC 896 Part 2, British Standard BS 6290 Part 4, Eurobat, DIN 43534
- ◆ UL Recognized, ISO 9001

12 Volts - 525 Watts Per Cell for 15 minutes to 1.67 vpc

Constant Power Discharge Ratings - Watts per cell @ 77°F (25°C)									
Operating Time (minutes)	5	10	15	20	30	40	45	60	90
1.67 vpc	924	653	525	433	321	257	235	187	134

Website: www.hazebattery.com/usa
 E mail : customerservice@hazebattery.com
 Ph: 952-746-7528 Fax: 952-746-7527

AGM Range

Sealed Lead Acid 12 Volt Bloc

Specifications

Nominal Voltage	12 Volts
Nominal Capacity at 77°F (25°C)	525 watts per cell at 15 minute rate to 1.67 vpc 136 Ah @ 20 hr rate to 1.75vpc

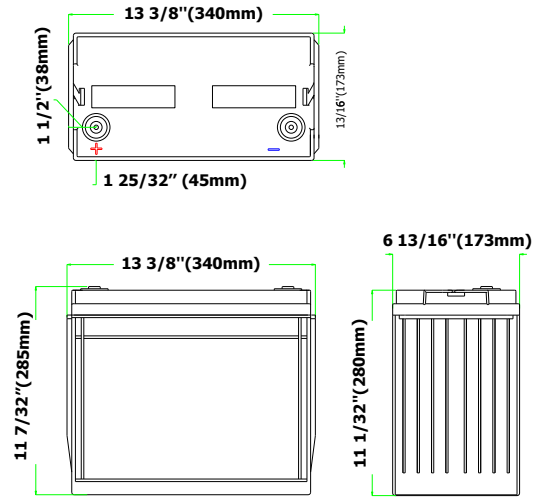
Dimensions	Total Height (Inc terminals)	11.02 inches	280 mm
	Length	n/a	n/a
	Width	13.39 inches	340 mm
	Weight	6.81 inches	173 mm
		99.89 lbs	45.3 Kg

Characteristics

Internal Resistance	2.73 mOhms	
Capacity correction for temperature	104°F (40°C)	102%
	68°F (20°C)	100%
Variations 77°F (25°C)	32°F (0°C)	85%
	5°F (-15°C)	65%
Self Discharge 77°F (25 Deg C)	Capacity after 1 month storage	98%
	Capacity after 3 months storage	94%
	Capacity after 6 months storage	86%
Short Circuit Current 77°F (25 Deg C)	3750	
Terminal Charging (Float Voltage)	Standard	16mm Insert M6 thread
	Float	2.27 - 2.30 vpc (59-77°F)



Haze Battery Company Ltd



Constant Current Discharge Ratings - Amperes @ 77°F (25°C)

Operating Time to End Voltage

End V per Cell	Minutes				Hours								
	5	15	30	45	1	2	3	4	5	8	10	12	20
1.85	278	204	149	111	87.8	49.4	34.7	26.9	21.9	14.4	11.8	10.0	6.46
1.80	344	223	156	115	91.0	50.7	35.5	27.5	22.4	14.7	12.0	10.2	6.63
1.75	385	230	160	118	92.4	51.8	36.2	28.0	22.8	15.0	12.3	10.5	6.81

Constant Power Discharge Ratings - Watts Per Cell @ 77°F (25°C)

Operating Time to End Voltage (In minutes)

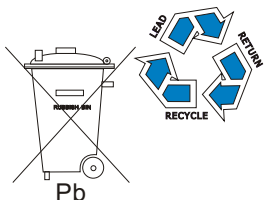
End V per Cell	5	10	15	20	30	40	45	60	90
1.75	838	604	490	411	310	249	226	181	131
1.70	879	628	510	423	316	253	231	184	132
1.67	924	653	525	433	321	257	235	187	134
1.60	983	679	533	439	324	259	237	189	135

Specifications

Design Life	12 Years
Operating Temperature	-4 °F to 122 °F
Grid alloy	Calcium / Tin lead alloy
Plates	Flat Pasted
Separator	Absorbant Glass Mat
Active material	Very high purity lead
Charge Voltage	Float 2.25 - 2.30 VPC @77 °F Cycling 2.35 @77 °F Max. 2.4 VPC Max ripple 0.05C (A)
Electrolyte	Sulphuric acid Analytical grade purity
Venting Valve	EPDM Rubber 1.5 to 2 psi (10.5 - 14 KPa) release pressure. Resealing at 1 psi (7 KPa)
Torque setting	The recommended torque value for all types is 44-62 inch-pounds

Terminal Details

Insert are made from brass with copper, nickel and silver plating giving excellent mechanical, electrical and corrosion resistant properties.
Insert 16mm Dia M6 thread, epoxy sealed.



Haze Battery Company keenly encourages environmental awareness; PLEASE follow guidelines for the recycling /disposal of lead.

